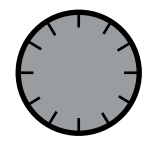




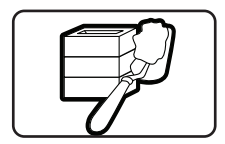
ASSEMBLE THE BACKHOE LOADER

CONSTRUCTION PLAN:

Use this diagram to help you put together the JCB Backhoe Loader step by step.

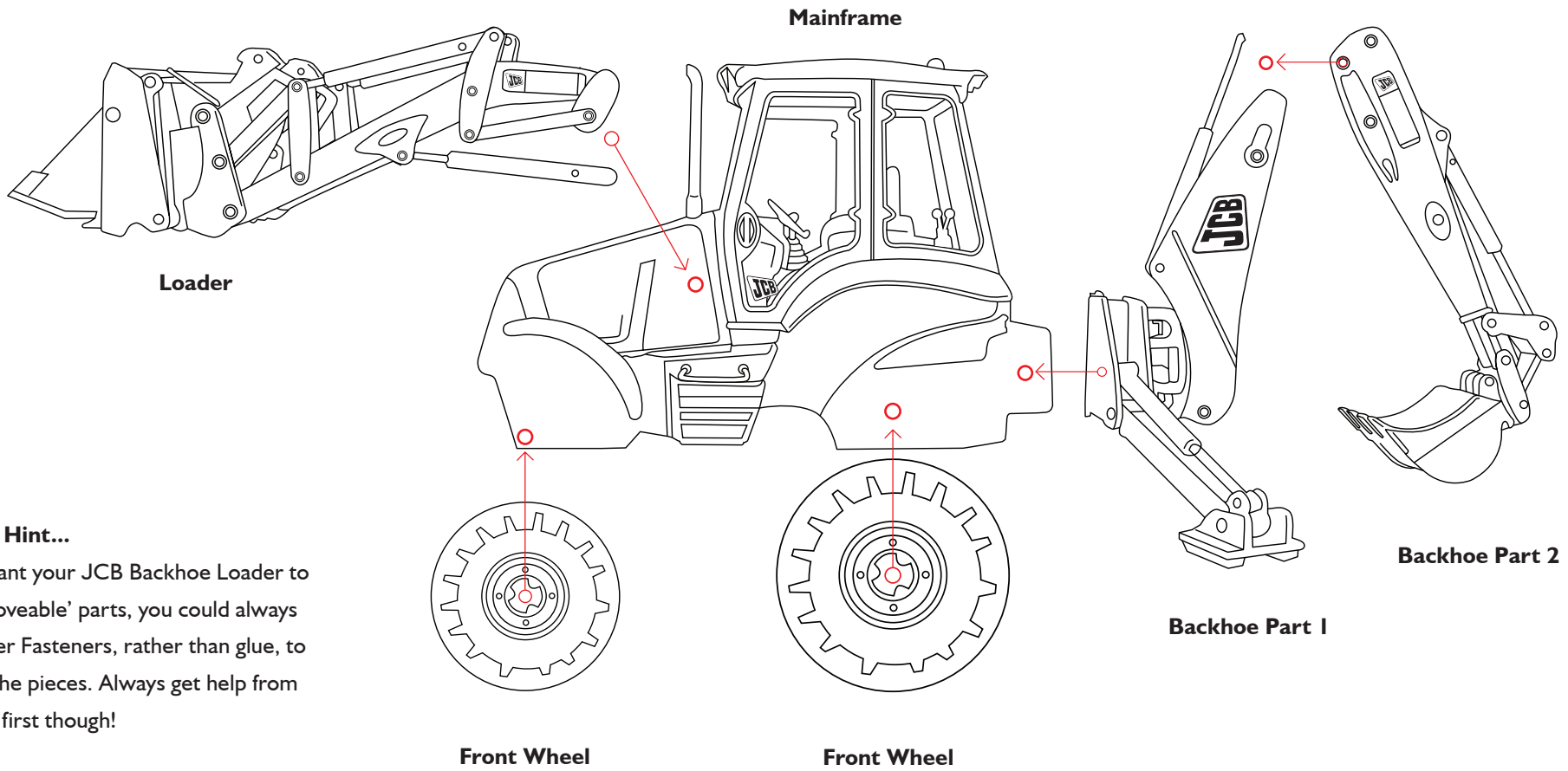


1 HOUR



BUILDING

AGE 7+



Helpful Hint...

If you want your JCB Backhoe Loader to have 'moveable' parts, you could always use Paper Fasteners, rather than glue, to join up the pieces. Always get help from an adult first though!

